


"UNIVENDOR"[®] COCA-COLA PARTS SECTION

389481B

 *✓*
DBU *✓* *Brcht Kit*
1037773

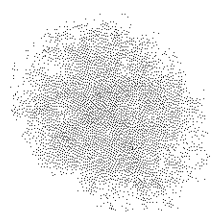
Fixed piece

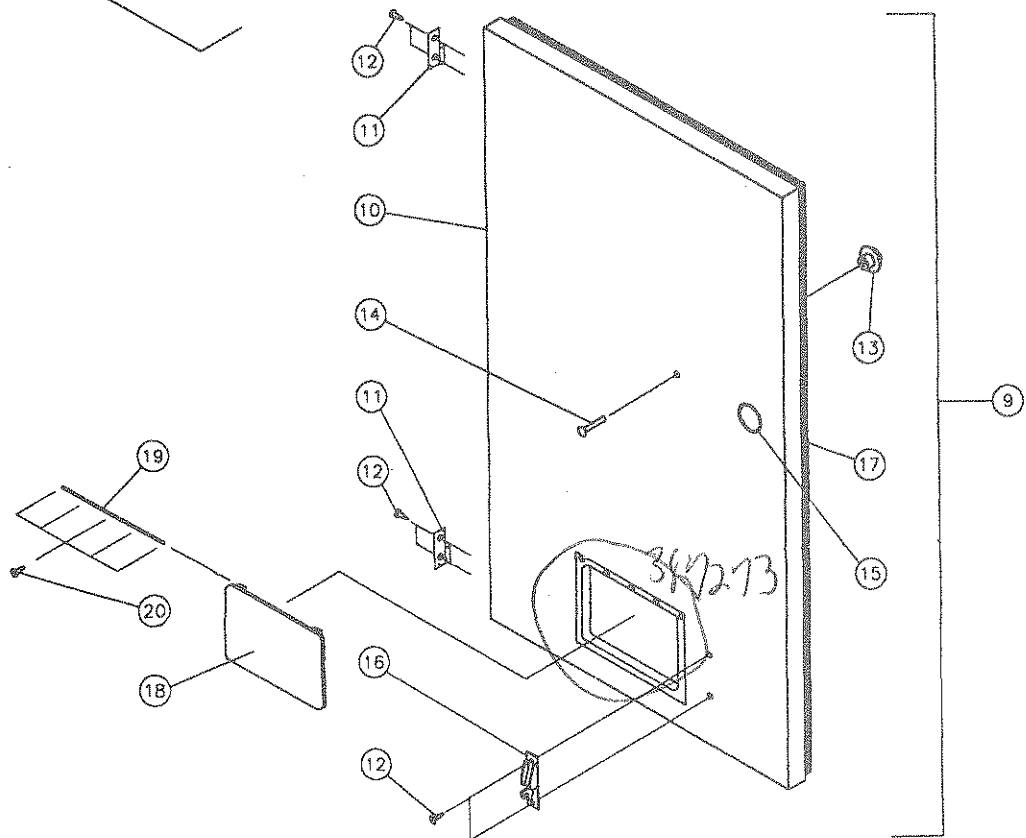
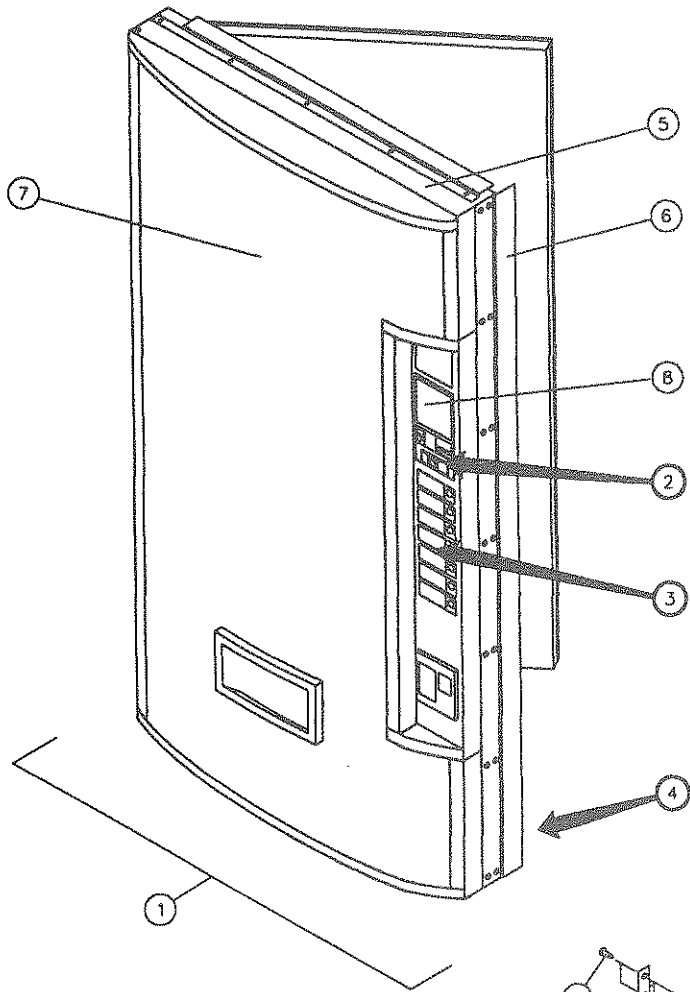
*Credit mem
460185003
376317
1034077-7
VCC
954*

*POS
Back up plate
with
calculator opening*

389481B

*Collar
1002481*





470085001

Current 2 ft
Bottom Gun 1054938
Top Gun 785122

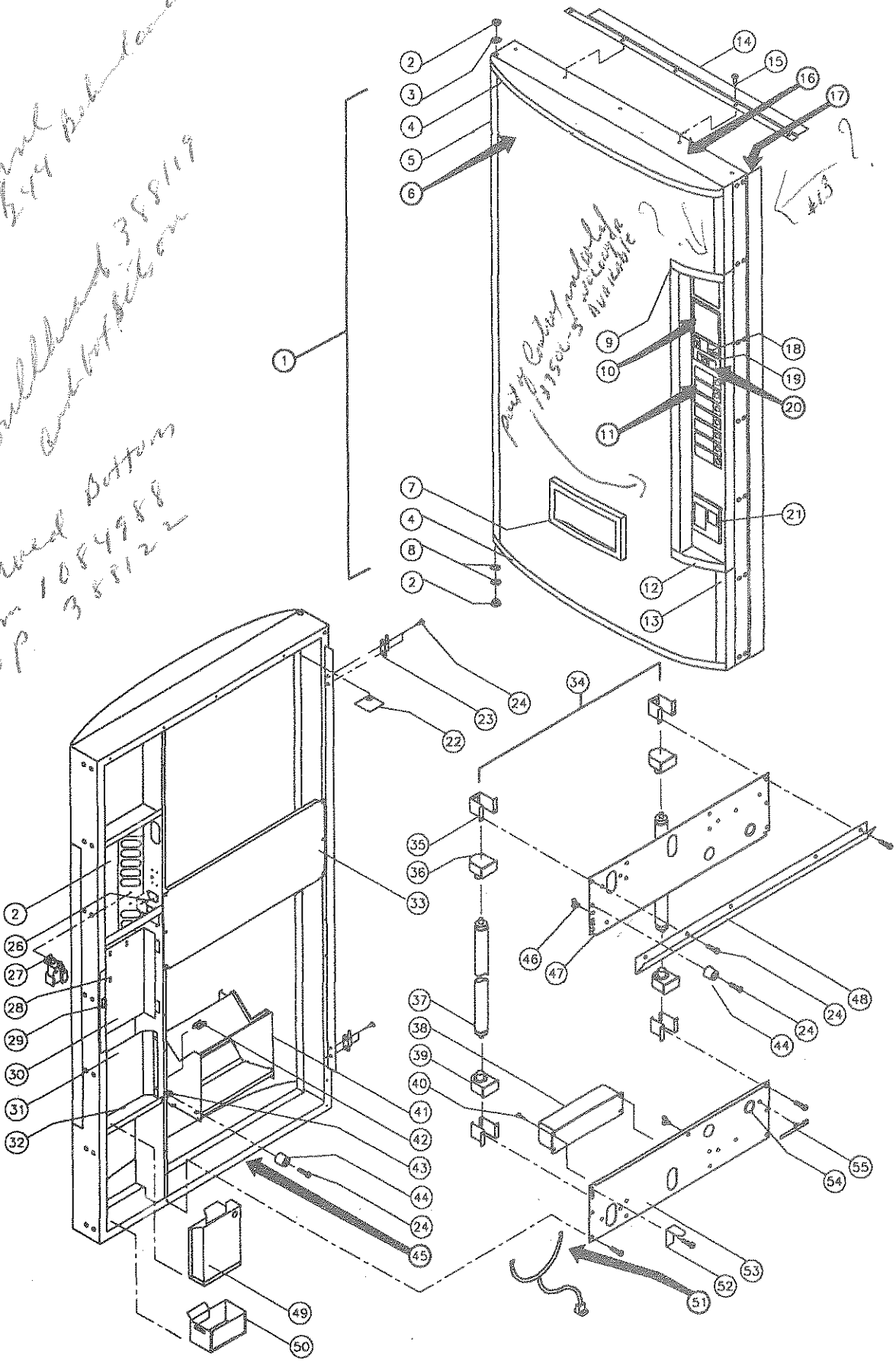
1056015
1053228

186
"UNIVENDOR" COKE MAIN DOOR

ITEM NO.	PART NAME & DESCRIPTION	REQ.	MODEL NUMBER				
			259 - 280 270 - 280	296 - 300 310 - 324	320 - 330 339,340,350	368 - 378 388,392,406	439 - 450 460,470,490
			PART NO.	PART NO.	PART NO.	PART NO.	PART NO.
1	OUTER DOOR COKE-7 SELECT	1	133505-26	133505-25	133505-2	133505-1	133505
~	OUTER DOOR DIET COKE-7 SELECT	1	133505-31	133505-30	133505-7	133505-6	133505-5
~	OUTER DOOR COKE-6 SELECT	1	133505-4	133505-3	133505-18	133505-17	133505-16
~	OUTER DOOR DIET COKE-6 SELECT	1	133505-9	133505-8	133505-21	133505-20	133505-19
~	OUTER DOOR COKE-8 SELECT	1	~	~	133505-24	133505-23	133505-22
~	OUTER DOOR DIET COKE-8 SELECT	1	~	~	133505-29	133505-28	133505-27
~	OUTER DOOR COKE-9 SELECT	1	~	~	133505-40	133505-10	133505-11
~	OUTER DOOR DIET COKE-9 SELECT	1	~	~	133505-41	133505-12	133505-13
~	OUTER DOOR COKE-10 SELECT	1	~	~	133505-34	133505-33	133505-32
~	OUTER DOOR DIET COKE-10 SELECT	1	~	~	133505-37	133505-36	133505-35
2	T-HANDLE ASS.-SEE PG. B-4	1	~	~	~	~	~
3	SELECTION PANEL-SEE PG. B-6	1	~	~	~	~	~
4	DOOR HARNESS - SEE PG. A-4	1	133394	133394	133394	133394	133394
5	DOOR FRAME WELD	1	133432-4	133432-3	133432-2	133432-1	133432
6	DOOR GUARD - COKE	1	133629-2	133629-1	133629-2	133629-1	133629
7	DOOR GUARD - DIET COKE	1	133629-7	133629-4	133629-7	133629-4	133629
~	SIGN FACE - COKE	1	388114-4	388114-3	388114-2	388114-1	388114
~	SIGN FACE - DIET COKE	1	388450-4	388450-3	388450-2	388450-1	388450
8	VALIDATOR PLUG	1	388216	388216	388216	388216	388216
~	STAND OFF NUT (NOT SHOWN)	1	V802045	V802045	V802045	V802045	V802045
9	INNER DOOR ASSEMBLY (FINAL)	1	133434-4	133434-3	133434-2	133434-1	133434
10	INNER DOOR PANEL	1	133438-4	133438-3	133438-2	133438-1	133438
11	HINGE - INNER DOOR	2	388148	388148	388148	388148	388148
12	SELF DRILL SCREW (#10-16)	AR	V801489	V00570	V801489	V00570	V800570
13	DOOR HANDLE	1	388305	388305	388305	388305	388305
14	CARRIAGE BOLT - HANDLE	1	V329258	V329258	V329258	V329258	V329258
15	GROMMET	2	388090	388090	388090	388090	388090
16	LATCH MECHANISM	1	388435	388435	388435	388435	388435
17	GASKET - SEE PAGE A-5	1	~	~	~	~	~
18	DELIVERY EYELET DOOR	1	387270	387270	387270	387270	387270
19	HINGE PIN	1	389985	389985	389985	389985	389985
20	TAPPING SCREW - PIN	5	V800570	V800570	V800570	V800570	V800570

*Bussnell
388 244 Bussnell
Bullhead 358119
and 47816 on*

*280 Curved Bottom
388 1084988
TIP 388122*



*3892716 390094
3892716 390094
390094
390094
32489*

*Round 32 with
1127365
186
Violet*

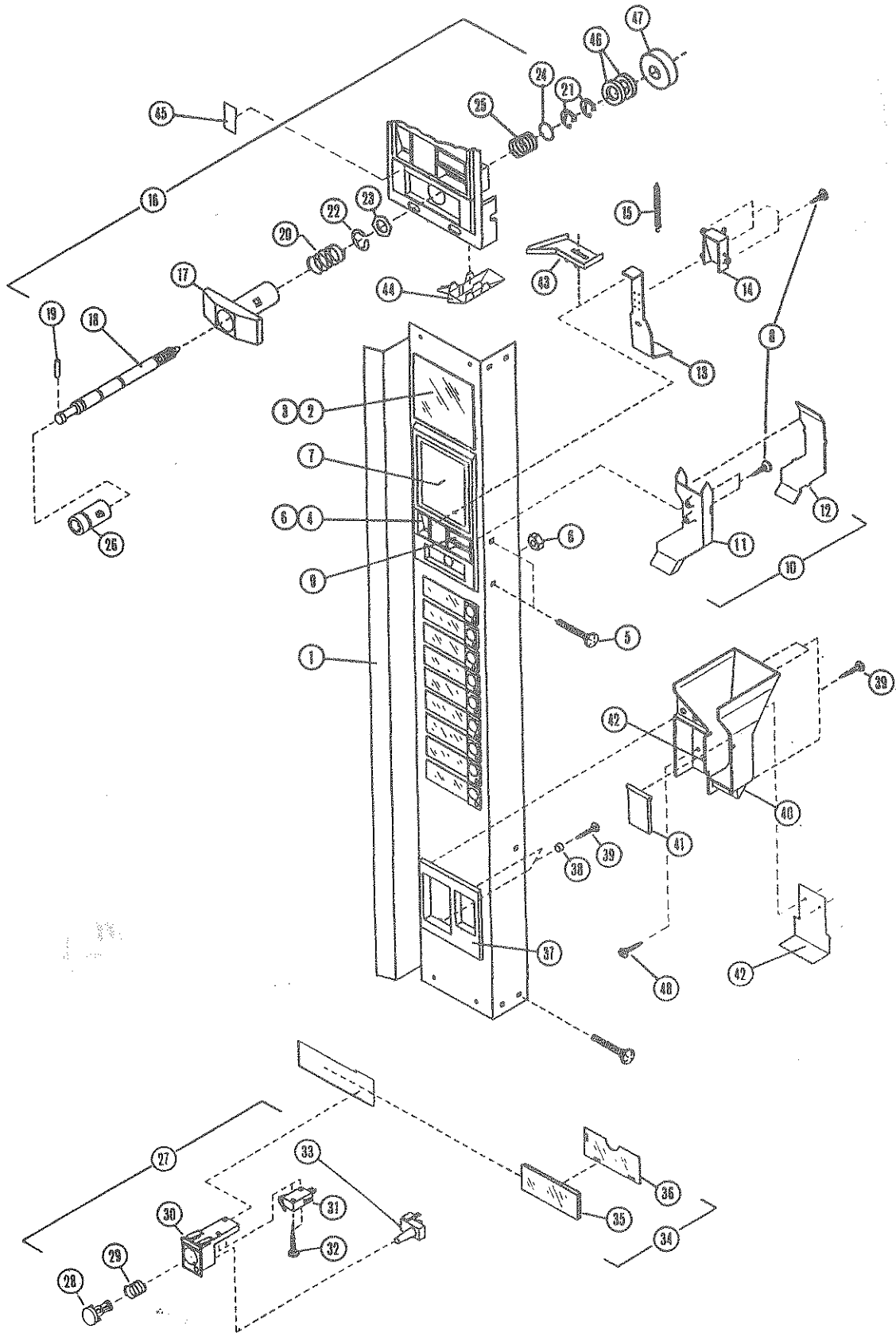
*Electronic Start
w/ coil model 324
66-133524-90
9 SW
Rd 39 with*

UNIVENDOR® COKE OUTER DOOR

ITEM NO.	MODEL NUMBERS	REQ.	PART NO.				
			258 - 260 270 - 280	296 - 300 310 - 324	320 - 330 339 - 350,350	388 - 378 388,392,408	439 - 450 460,470,490
1	OUTER DOOR ASSY.-SEE PG. B-2	1	~	~	~	~	~
2	BUSHING - DOOR HINGE	1	388094	388094	388094	388094	388094
3	FLAT WASHER - TOP HINGE	1	V801498	V801498	V801498	V801498	V801498
4	SIGN CAP - TOP/BOTTOM	2	388122	388122	388122	388122	388122
5	SIGN FRAME - LEFT	2	388125-4	388125-2	388125-4	388125-2	388125
~	SELF-DRILL SCREW (#10-16)	A/R	V801489	V801489	V801489	V801489	V801489
6	SIGN FACE - SEE PAGE B-2	1	~	~	~	~	~
7	EYELET TRIM	1	388271	388271	388271	388271	388271
~	TAPPING SCREW - TRIM	6	V801493	V801493	V801493	V801493	V801493
8	FLAT WASHER - BOTTOM HINGE	2	V801491	V801491	V801491	V801491	V801491
9	SIGN CAP - SELECTION PANEL TOP	1	388139	388139	388139	388139	388139
10	VALIDATOR PLUG	1	388216	388216	388216	388216	388216
11	SELECTION PANEL - SEE PAGE B-6	1	~	~	~	~	~
12	SIGN CAP - SELECTION PANEL BOTTOM	1	388140	388140	388140	388140	388140
13	SIGN FRAME - RIGHT	2	388125-5	388125-3	388125-5	388125-3	388125-1
14	DOOR RAIN GUARD	1	133647-1	133647-1	133647	133647	133647
15	RIVET	5	V801471	V801471	V801471	V801471	V801471
16	DOOR FRAME WELD - SEE PAGE B-2	1	~	~	~	~	~
~	CARRIAGE BOLT	A/R	V801434	V801434	V801434	V801434	V801434
~	HEX NUT/LOCKWASHER	A/R	V800959	V800959	V800959	V800959	V800959
17	DOOR GUARD - SEE PAGE B-2	1	~	~	~	~	~
18	CORRECT CHANGE LAMP	1	387124	387124	387124	387124	387124
19	COIN INSERT CASTING	1	389782	389782	389782	389782	389782
20	T-HANDLE ASSY. - SEE PAGE B-6	1	~	~	~	~	~
21	TRIM - COIN RETURN	1	389791	389791	389791	389791	389791
22	BACKING PLATE	1	388443	388443	388443	388443	388443
23	HINGE - INNER DOOR	2	388149	388149	388149	388149	388149
24	SCREW (#10-16)	A/R	V801489	V801489	V801489	V801489	V801489
25	MID PANEL	1	388107	388107	388107	388107	388107
26	CREDIT RELAY	1	353343	353343	353343	353343	353343
27	SEQUENCER RELAY	1	387804	387804	387804	387804	387804
28	SCREW - COINAGE	3	V800762	V800762	V800762	V800762	V800762
29	LATCH - COINAGE DOOR	1	389612	389612	389612	389612	389612
30	COINAGE DOOR ASSEMBLY	1	133435	133435	133435	133435	133435
31	ARRIER PANEL	1	388244	388244	388244	388244	388244
32	BULKHEAD	1	388119	388119	388119	388119	388119
33	SHEAR PANEL - MIDDLE	1	389834	389834	389834-1	389834-1	389834-1
34	LIGHT ASSEMBLY	1	134308	134308-14	134308-3	134308-8	134308-16
35	BRACKET - LAMPHOLDER	1	388409	388409	388409	388409	388409
36	LAMP HOLDER - PLUNGER	2	388260	388260	388407	388407	388407
37	FLUORESCENT LAMP	2	388320-2	388320-1	388408-2	388408-1	388408
38	BALLAST - LAMP	1	388259	388259	388405	388405	388405
39	LAMP HOLDER - FIXED	2	388261	388261	388406	388406	388406
40	TAPPING SCREW BALLAST	4	V801421	V801421	V801421	V801421	V801421
41	DELIVERY HOPPER ASSEMBLY	1	133574	133534	133534-1	133534-1	133534-1
~	EXTENTIONS - HOPPER (NOT SHOWN)	2	389088	389088	389088	389088	389088
~	RIVETS - HOPPER	6	V801412	V801412	V801412	V801412	V801412
42	TIE DOWN PANEL MOUNT	A/R	388359-1	388359-1	388359-1	388359-1	388359-1
43	STRIKE	1	388433	388433	388433	388433	388433
44	BUMPER - DOOR	2	369466	369466	369466	369466	369466
45	DOOR HARNESS-SEE PG. A-4	1	~	~	~	~	~
46	HARNESS CLIP	3	384692-2	384692-2	384692-2	384692-2	384692-2
47	SHEAR PANEL - TOP	1	~	~	388117	388117	388117
~	SAIL PANEL - TOP	1	388774	388774	~	~	~
48	RAIN GUTTER	1	388581	388581	388581-1	388581-1	388581-1
49	COIN BOX	1	133563	133563	133563	133563	133563
50	CROWN BOX	1	133552	133552	133552	133552	133552
51	LIGHT HARNESS-SEE PG. A-4	~	~	~	~	~	~
52	RAMP - INNER DOOR	1	388367	388367	388367	388367	388367
53	SHEAR PANEL - BOTTOM	1	388118	388118	388117	388117	388117
54	GROMMET	1	327021	327021	327021	327021	327021
55	HARNESS TIE	2	388359-1	388359-1	388359-1	388359-1	388359-1

NOTE: FOR LABELS AND DECALS SEE PAGE A-6

*B 4 5.9 v Rethinking
COIL PULL
(MAG MAG)*



1011766-9

"UNIVENDOR" COKE

CONTROL PANEL			
ITEM NO.	PART NAME AND DESCRIPTION	NO. REQ.	PART NUMBER
~	CONTROL PANEL ASSEMBLY - 6 SELECT	1	133506
~	CONTROL PANEL ASSEMBLY - 7 SELECT†	1	133506-1
~	CONTROL PANEL ASSEMBLY - 8 SELECT	1	133506-3
~	CONTROL PANEL ASSEMBLY - 9 SELECT	1	133506-2
~	CONTROL PANEL ASSEMBLY - 10 SELECT	1	133506-5
1	CONTROL PANEL - 6 SELECT	1	134763-1
1	CONTROL PANEL - 7 SELECT†	1	134763-2
~	CONTROL PANEL - 8 SELECT	1	134763-3
~	CONTROL PANEL - 9 SELECT	1	134763-4
~	CONTROL PANEL - 10 SELECT	1	134763-5
2	"POINT OF SALE" WINDOW - COKE	1	388130
2	"POINT OF SALE" WINDOW - DIET COKE	1	388130-1
3	HEX NUT	2	V800956
4	COIN INSERT CASTING	1	389782-106096
5	CARRIAGE BOLT	2	389748-2-V801491✓
6	HEX NUT	4	V800959
7	VALIDATOR PLUG <i>plastic one</i>	1	388216
8	TAPPING SCREW	5	V801475
9	CORRECT CHANGE LAMP	1	387124
10	COIN INSERT CHUTE ASSEMBLY	1	133428
11	COIN INSERT CHUTE	1	389065
12	COVER - COIN INSERT CHUTE	1	389066
13	SCAVENGER LEVER	1	388690
14	RETAINER - LEVER	1	388220
15	SPRING - LEVER	1	387849
16	LOCK ASSEMBLY	1	133461
17	"T" HANDLE	1	387603
18	LOCKING STUD (BOLT)	1	388131
19	PIN - STUD	1	387601
20	SPRING	1	387598
21	"E" RING RETAINER	2	387719
22	"E" RING RETAINER	1	388589
23	HEX WASHER	1	387600
24	FLAT WASHER	1	387718
25	SPRING - HEAVY DUTY	1	389691
26	FLEX ACE LOCK (SPECIFY CODE NO.)	1	~
~	KEY (NOT SHOWN) (SPECIFY KEY NO.)	1	~
27	SELECTION BUTTON ASSEMBLY	AR	133430
28	SELECTION BUTTON	1	388250
29	SPRING	1	388286
30	BUTTON HOUSING	1	388388
31	SELECTION SWITCH	1	388287
32	SCREW - SWITCH	2	V800745
33	SOLD-OUT LAMP	1	388277
34	SELECTION WINDOW ASSEMBLY	AR	133431
35	WINDOW	1	388223
36	BACK - WINDOW	1	388116
37	COIN RETURN TRIM	1	389791
38	CUP WASHER - TRIM	2	337241-1
39	TAPPING SCREW - COIN RETURN	5	V801493
40	CUP - COIN RETURN/CROWN PULLER	1	388111
41	COIN RETURN DOOR	1	389790
42	CROWN BLOCKER	1	388455
43	SCAVENGER CHUTE	1	388684
44	T-HANDLE CHUTE	1	389240
45	COVER PLATE	1	388758
46	WASHER - 1/2"	1	388132
47	VAPOR SEAL	2	V801023
48	TAPPING SCREW - SELF DRILL	2	V801489

INSERTX
1017314
no select

106096
V801491✓

390274

133461
388589

388287

NOTE: FOR FLAVOR LABELS - SEE PAGE A8
FOR LABELS AND DECALS - SEE PAGE A6

"UNIVENDOR" COKE

CONTROL PANEL

ITEM NO.	PART NAME & DESCRIPTION	NO. REQ.	PART NUMBER
--	CONTROL PANEL ASSEMBLY - 6 SELECT	1	133506
--	CONTROL PANEL ASSEMBLY - 7 SELECT	1	133506-1
--	CONTROL PANEL ASSEMBLY - 8 SELECT	1	133506-3
--	CONTROL PANEL ASSEMBLY - 9 SELECT	1	133506-2
1	CONTROL PANEL - 6 SELECT	1	133427
--	CONTROL PANEL - 7 SELECT	1	133427-1
--	CONTROL PANEL - 8 SELECT	1	133427-3
--	CONTROL PANEL - 9 SELECT	1	133427-2
2	"POINT OF SALE" WINDOW - COKE	1	388130
--	"POINT OF SALE" WINDOW - DIET COKE	1	388130-1
3	HEX NUT	2	V800956
4	COIN INSERT CASTING	1	388751
5	CARRIAGE BOLT	5	V801434
6	HEX NUT	9	V800959
7	VALIDATOR PLUG	1	388216
8	TAPPING SCREW	9	V801475
9	CORRECT CHANGE LAMP	1	387124
10	COIN INSERT CHUTE ASSEMBLY	1	133428
11	COIN INSERT CHUTE	1	389065
12	COVER - CHUTE	1	389066
13	SCAVENGER LEVER	1	388690
14	RETAINER - LEVER	1	388220
15	SPRING - LEVER	1	385786
16	LOCK ASSEMBLY	1	133461
17	"T" HANDLE	1	387603
18	LOCKING STUD (BOLT)	1	388131
19	PIN - STUD	1	387601
20	SPRING	2	387598
21	"E" RING RETAINER	2	387719
22	"E" RING RETAINER	1	388589
23	HEX WASHER	1	387600
24	FLAT WASHER	1	387718
25	VAPOR SEAL	1	388132
26	FLEX ACE LOCK	1	368688
--	KEY - SPECIFY KEY NUMBER (NOT SHOWN)	1	346118
27	SELECTION BUTTON ASSEMBLY	AR	133430
28	SELECTION BUTTON	1	388250
29	SPRING	1	388286
30	BUTTON HOUSING	1	388388
31	SELECTION SWITCH	1	388287
32	RETAINER - SWITCH	1	388297
33	SOLD-OUT LAMP	1	388277
34	SELECTION WINDOW ASSEMBLY	AR	133431
35	WINDOW	1	388223
36	BACK - WINDOW	1	388116
37	COIN RETURN TRIM	1	388110
38	CUP WASHER - TRIM	2	337241
39	TAPPING SCREW - COIN RETURN	5	V801493
40	CUP - COIN RETURN/CROWN PULLER	1	388111
41	COIN RETURN DOOR	1	388227
42	CROWN BLOCKER	1	388455
43	SCAVENGER CHUTE	1	388684
44	T-HANDLE CHUTE	1	389240
45	COVER PLATE	1	388758
46	WASHER - 1/2"	2	V801023

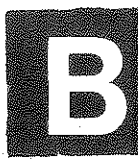
wlds

134763-1

*Insert
X
1017314*

V801023

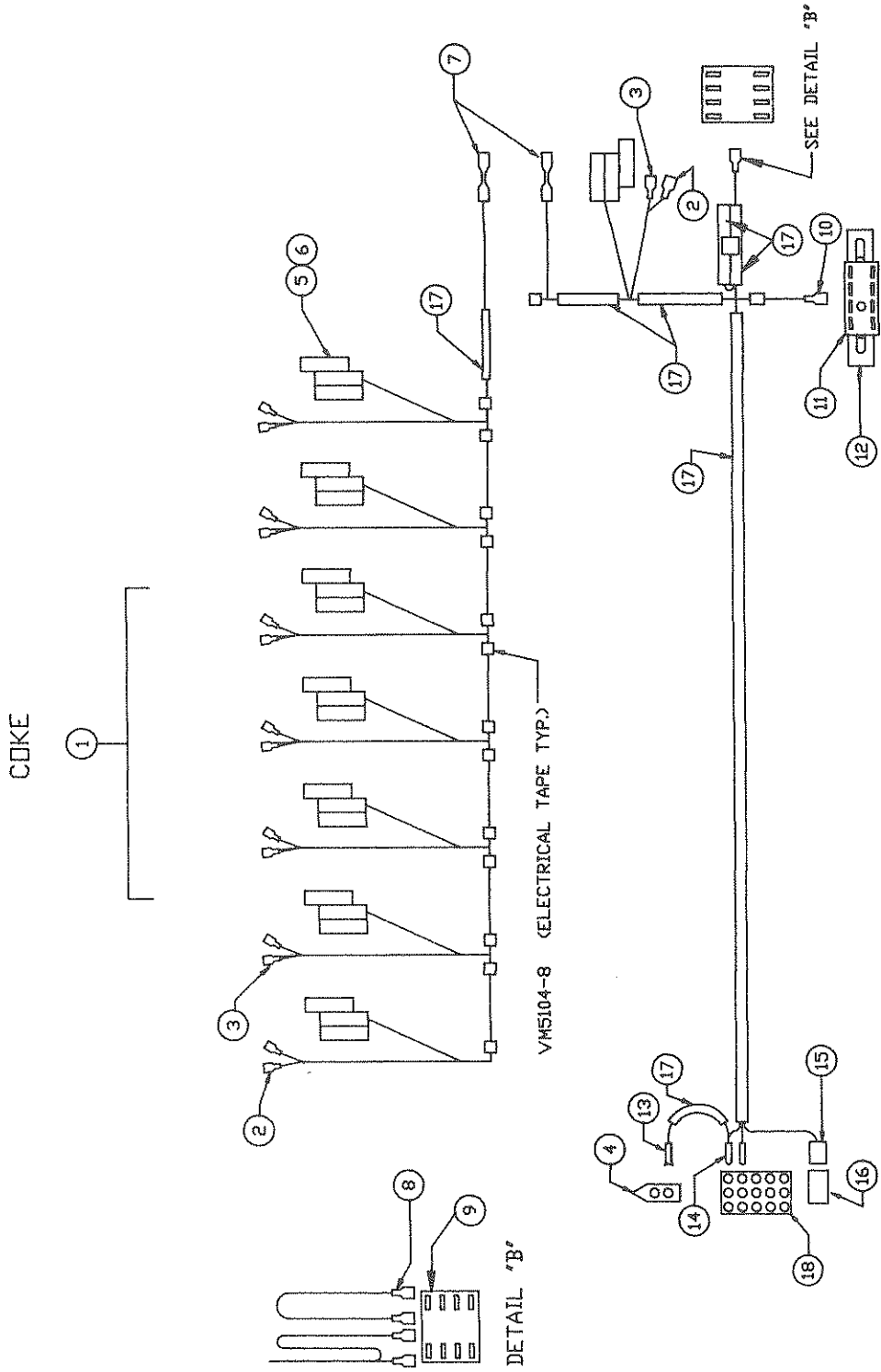
*951
4967
772
1452
330
602*



*NOTES: FOR FLAVOR LABELS - SEE PAGE A8
FOR LABELS AND DECALS - SEE PAGE A6

*Electronic
981
407/388
1034073-5*

B

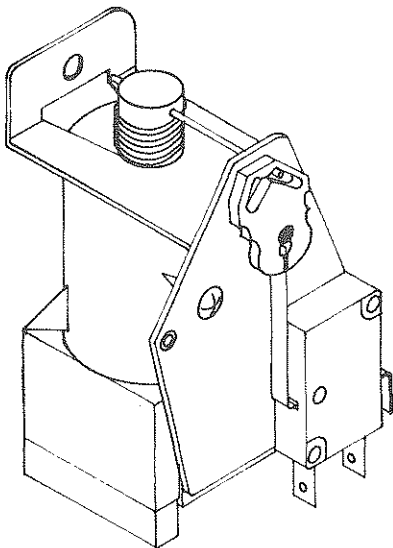


"UNIVENDOR"™ COKE
DOOR HARNESS

ITEM NO.	PART NAME AND DESCRIPTION	NO. REQ.	PART NUMBER
1	DOOR HARNESS ASSY. - SEE QRWG PAGE A4	1	-----
2	TERMINAL (SINGLE WIRE)	AR	384186
3	TERMINAL (DOUBLE WIRE)	AR	384184
4	RECEPTACLE (TWO TERMINAL)	AR	345008-1
5	TERMINAL	AR	336138
6	COVER (TRIPLE TERMINAL)	AR	384190
7	TERMINAL (INSULATED)	AR	387126
8	TERMINAL (RELAY)	AR	360805-1
9	RECEPTACLE (CREDIT RELAY)	1	365619
10	TERMINAL (COINAGE)	AR	327060
11	RECEPTACLE (COINAGE)	1	327254
12	BRACKET - COINAGE RECEPTACLE	1	388331
13	TERMINAL (FEMALE)	AR	320195
14	TERMINAL (MALE)	AR	320196
15	TERMINAL (EMS)	1	321093
16	COVER (EMS)	1	321096
17	PLASTIC TUBING (.263" I.D.)	AR	V801160
--	PLASTIC TUBING (.294" I.D.)	AR	V801161
--	PLASTIC TUBING (.500" I.D.)	AR	V801165
--	PLASTIC TUBING (.562" I.D.)	AR	V801166
--	PLASTIC TUBING (.625" I.D.)	AR	V801167
18	PLUG - DOOR HARNESS (12 PIN)	1	345739-5
--	PLUG - DOOR HARNESS (15 PIN)	1	345006-4



B



"UNIVENDOR"™ COKE
SEQUENCER ASSY

ITEM NO.	PART NUMBER	NO. REQ.	PART NAME & DESCRIPTION
1	387804	1	SEQUENCER/SOLD-OUT RELAY